

## SEC-REMD-KS

# Securiton ASD Remote Disable Switch

### Description

The Securiton ASD Remote Disable Switch provides local disablement to the full range of Aspirating Smoke Detectors via a standard 003 Key Switch. It is connected using 2 wires and should ideally be mounted close to the connected ASD Unit.



Specifications	
Construction	1.2mm mild sheet steel
Size	102 x 102 x 50
Finish	Powder Coated
Colour - lid & box	BS 00 A 05 grey - fine texture
Knockouts	20mm
IP rating	IP30
Operating Temperature	-5°C to +40°C
Key Switch	Standard 003 - 2 position

## SEC-ASD-531

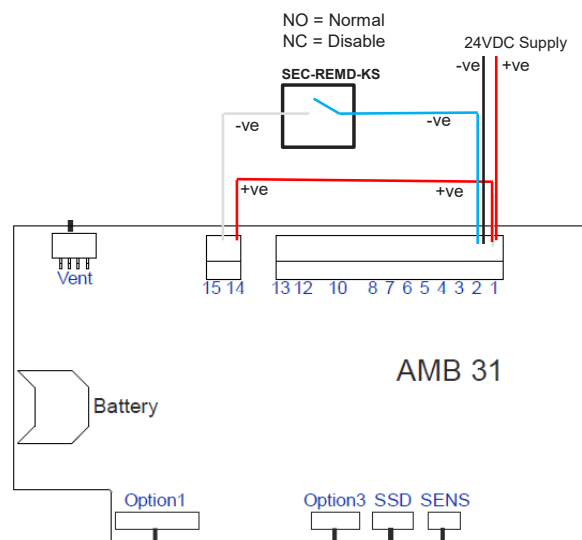
### Disable/Reset input - Terminals 14 & 15

The Disable/Reset input is an opto-isolated input which is activated by a voltage between 18 and 30VDC.

**Reset** – Momentarily actuate the switch for greater than 0.5 seconds.

**Disable** – Actuate the switch and leave in the Disable position. After 20 seconds, the ASD will become disabled. Once disabled, the Fault relay will be triggered, and the fan will turn off.

Returning the switch will re-enable the ASD.



## SEC-ASD-532

### Disable/Reset input - Terminals 14 & 15

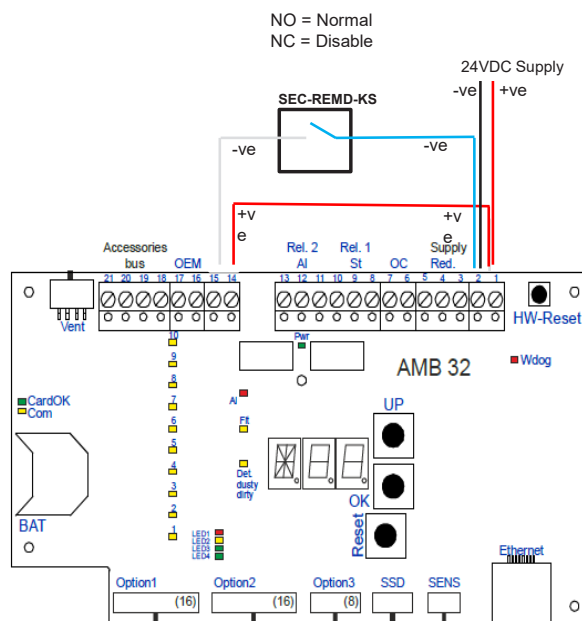
The Disable/Reset input is an opto-isolated input which is activated by a voltage between 18 and 30VDC.

**Reset** – Momentarily actuate the switch for greater than 0.5 seconds.

**Disable** – Actuate the switch and leave in the Disable position. After 20 seconds, the ASD will become disabled.

Once disabled, the Fault relay will be triggered, and the fan will turn off.

Returning the switch will re-enable the ASD.



## SEC-ASD-535

### Disable/Reset input - Terminals 19 & 20

The Disable/Reset input is an opto-isolated input which is activated by a voltage between 18 and 30VDC.

**Reset** – Momentarily actuate the switch for greater than 0.5 seconds.

**Disable** – Actuate the switch and leave in the Disable position. After 20 seconds, the ASD will become disabled.

Once disabled, the Fault relay will be triggered, and the fan will turn off.

Returning the switch will re-enable the ASD.

